



# E5 User Manual



## 1 Package Contents



E5 32GB  
SET TOP BOX



USB TYPE-C  
POWER SUPPLY



2 X AA  
BATTERIES



IR-200  
REMOTE



SETUP/HELP  
CARD



HDMI  
CABLE

## 2 Connection

### AV Connection

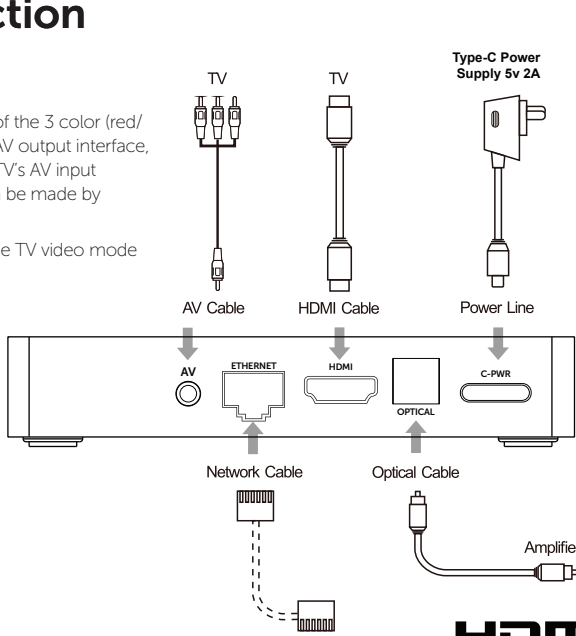
A. Connect the AV cable of the 3 color (red/white/yellow) to the E5's AV output interface, and the other end to the TV's AV input interface. Connection can be made by colour.

B. Power on the E5. Set the TV video mode to AV input.

### HDTV Connection

A. Connect HDMI cable to the E5's output interface, and the other end to the TV's HDMI input interface.

B. Power on the E5. Set the TV video mode to HDTV input.



## 3 Installation Steps

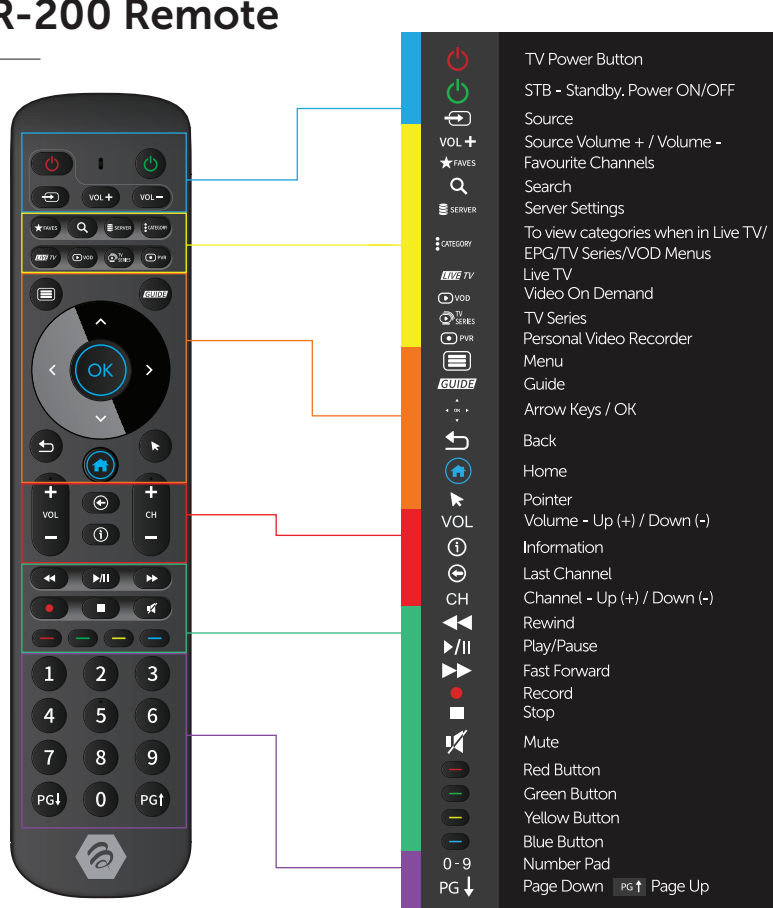
1. Connect E5 Set top box TV Box to the power supply.
2. Connect E5 to your TV with an HDMI Cable or AV cable.
3. For a wired connection, plug-in an Ethernet cable from the TV Box to your modem or router. For wireless, choose your Wi-Fi network and input your Wi-Fi password.
4. LED Light: Blue ON Red OFF Green INTERNET CONNECTION

## 4 Troubleshooting

**Warning:** Under no circumstances should you try to repair the E5 unit by yourself, as this will invalidate the warranty. Do not open it as there is a risk electrical shock. If any fault occurs, please first check with this troubleshooting checklist. If you are unable to remedy a problem by following this guide, contact your dealer for help.

| Problem   | Solution   |
|---|--|
| No Power  | <ul style="list-style-type: none"> <li>• Check if the power adapter is properly connected to the power and the TV box</li> <li>• Press the power on the remote controller to turn on the power</li> </ul>  |
| No Picture  | <ul style="list-style-type: none"> <li>• Re-Connect the HDTV cable or AV cable</li> <li>• Check if the TV is powered on</li> </ul>   |
| No sound or distorted sound                           | <ul style="list-style-type: none"> <li>• Adjust the volume</li> <li>• Check that the speakers are connected correctly</li> </ul>   |
| The TV box does not respond to the remote control     | <ul style="list-style-type: none"> <li>• Aim the remote control directly at the sensor on the front of the TV box</li> <li>• Reduce the distance to the TV box</li> <li>• Replace batteries in the remote control</li> <li>• Possibility of system crash, disconnect and reconnect the power supply</li> </ul> |
| No sound during playback                              | <ul style="list-style-type: none"> <li>• The audio codec may not be supported by the TV box</li> <li>• Check the volume</li> </ul>   |
| The contents of the USB or flash drive cannot be read | <ul style="list-style-type: none"> <li>• The USB or flash drive format is not compatible with the box</li> <li>• If one of the USB can not be read, please turn off the TV box for 30 seconds and restart the TV box</li> </ul>  |
| Slow operation of the USB flash drive                 | <ul style="list-style-type: none"> <li>• Large file size or high resolution USB flash drive takes longer time to read and display on the TV screen</li> </ul>  |
| The TV screen is blank and the player LED is blinking | <ul style="list-style-type: none"> <li>• Turn off the TV box, wait 30 seconds and turn on again</li> <li>• Check if HDTV connection is correct or try changing the HDTV cable</li> </ul>   |

## 5 IR-200 Remote



- TV Power Button
- STB - Standby, Power ON/OFF
- Source
- VOL + / Volume - / Volume -
- Favourite Channels
- Search
- Server Settings
- To view categories when in Live TV/ EPG/TV Series/VOD Menus
- Live TV
- Video On Demand
- TV Series
- Personal Video Recorder
- Menu
- Guide
- Arrow Keys / OK
- Back
- Home
- Pointer
- Volume - Up (+) / Down (-)
- Information
- Last Channel
- Channel - Up (+) / Down (-)
- Rewind
- Play/Pause
- Fast Forward
- Record
- Stop
- Mute
- Red Button
- Green Button
- Yellow Button
- Blue Button
- Number Pad
- 0-9
- PG ↓
- PG ↑ Page Up

## 6 IR-200 Remote - Learning Function

The learning function on the IR-200 remote is used to control your TV. You will be able to control: Power ON/OFF, Volume and Input Source. To do this you will need the factory remote control for your TV.



1. On the IR-200, press and hold the TV POWER + OK buttons for 3 seconds. Once the red light turns on, release the buttons.

2. Press the learning key you would like to program (TV POWER/ SOURCE/ VOL+/ VOL-) and the red light will start flashing. The flashing red light indicates the IR-200 is in learning mode.



3. Align your TV Remote and the IR-200 so that the front transmitters are pointing at each other. They should be within 1 inch or 3 cm of each other.

4. After receiving a learning function successfully, the red light will blink 4 times.

5. To learn other keys, repeat Steps 2-4

6. After learning, long press the OK key for 3 seconds, and the red light will blink twice to save learning.

**Note:**  
If you do not select the key within 15 seconds after entering the learning state, it will automatically exit the learning state.

**Please note not all TVs are compatible with source pairing**

**CEC settings to support the IR-200, your TV & the E5**  
If you were successful in IR source pairing the IR-200 to your TV then you need to make sure the CEC settings on both the TV and the E5 are enabled and in some cases in the correct HDMI port on the TV, refer to your TV manual if needed. (The E5 is initially set to ON)

## 7 Warranty Information

For warranty information and registration, please visit: [www.buzztv.com/register](http://www.buzztv.com/register)

[www.buzztv.com/support](http://www.buzztv.com/support)  
[cs@buzztv.com](mailto:cs@buzztv.com)